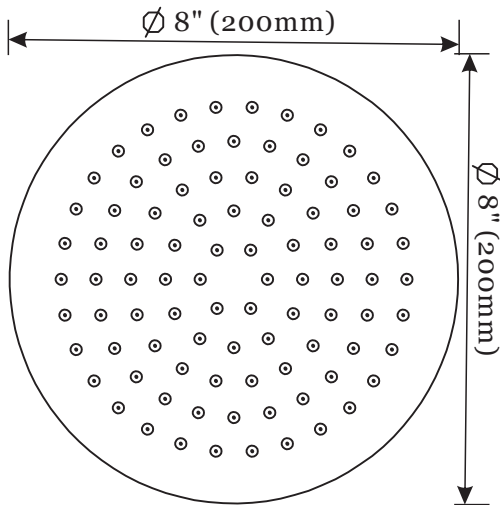
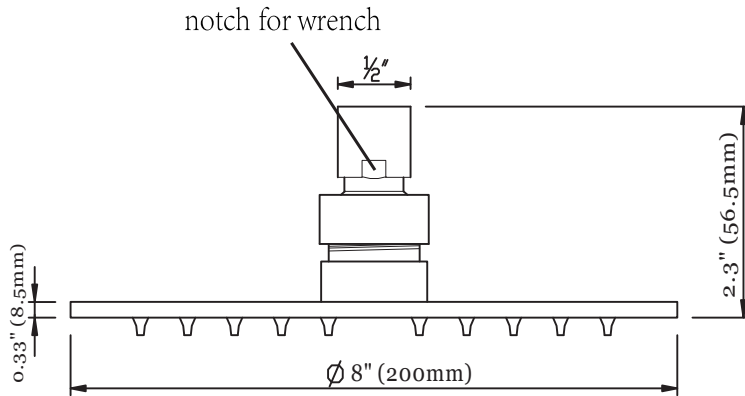
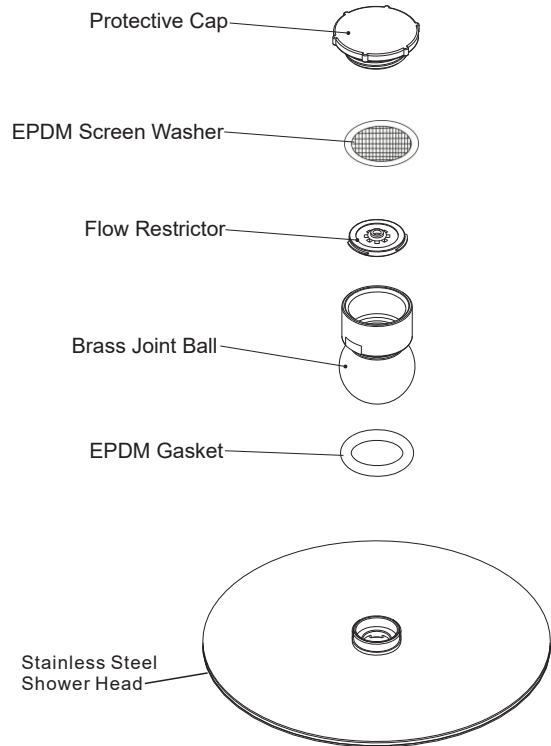


8" Round shower head Installation instruction

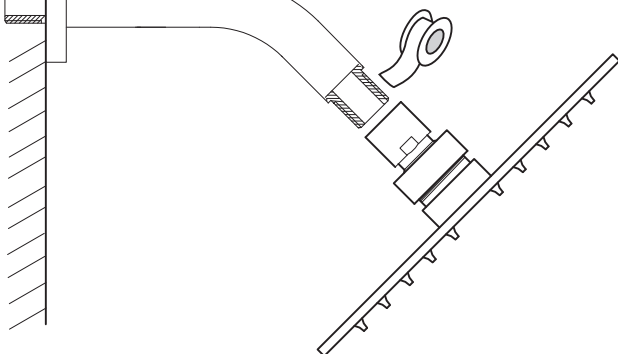


Use a licensed plumber
for installation



WALL

1. Wrap Teflon tape clockwise
2. Attach shower head to shower arm and rotate clock wise by hand, then tighten with a wrench.



Shower Head Installation Suggestion Only.
Teflon Tape and Shower Arm are excluded
in Shower Head Packing box.

This shower head is supplied with a blue 1.6 GPM
flow restrictor and meets CEC Requirements.

If you are not satisfied with the flow, non-California
residents can replace the restrictor with this white
2.5GPM restrictor. Check local water conservation
codes before changing the restrictor.

IMPORTANT: Re-insert protective stainless-steel
screen on top of restrictor.